

DATASHEET
SFX-FT11



Highlights

- OleumTech® field-proven technology running on the global Sigfox Low-Power Wide Area (LPWA) network
- Captures raw totals and instantaneous rate
- Works with a third-party turbine flow meter
- High accuracy of $\pm 0.01\%$ / 1 Hz – 10 KHz
- Advanced local LCD display interface
- Powered by a replaceable internal battery pack
- Battery life up to 8 years¹
- NEMA 4X / IP66 / -40 °C to 70 °C
- Industrially-hardened self-contained design
- A global solution – Zones RCZ1/2/4
- Remote antenna-ready option available
- Intrinsically Safe, Class I, Div 1 (Zone 0) certified



OleumTech Sigfox Ready Transmitters



Sigfox Base Stations



Sigfox Cloud™



Third-Party Customer IT

Unlock the True Potential of IoT (Internet of Things)

Easiest Way to Get Data in the Cloud

The OleumTech® Sigfox Ready SFX-FT11 Wireless Flow Totalizer Transmitter is designed for deployment anywhere in the world that Sigfox has network coverage. By leveraging the Sigfox Low Power Wide Area (LPWA) network, you can take advantage of the world's leading Internet of Things (IoT) connectivity service, offering a software-based communications solution where all the network and computing complexity is managed in the Sigfox CLOUD™.

Designed for Use in Hazardous Locations

The SFX-FT11 Transmitter is certified for use in Class I, Division 1 (Zone 0) hazardous locations. It is intrinsically safe, designed not to cause a spark, and can be serviced without being removed from a process. This device mates to a third-part flow turbine meter for capturing today's and yesterday's totals, raw totals, and instantaneous rate. Volume output can be reported in barrels, liters, gallons, or cubic meters.

Inherently Secure

The Sigfox Ready Transmitters take advantage of the built-in firewall since they are not directly connected to the internet and do not use Internet Protocol. Layered on top of this secure foundation, OleumTech provisions each device with a unique symmetrical authentication key. Each message sent by the transmitter contains a cryptographic token that is computed based on this authentication key and verified by each Sigfox Base Station.

Extremely Reliable

The Sigfox architecture is based on multiple base stations receiving each broadcasted and repeated message, building redundancy into the solution. Data Integrity, availability, and confidentiality are at the core of the offering.

Technical Specifications

HARDWARE FEATURES	
Device Functionality	· Class I, Division 1 (Zone 0) IoT Wireless Transmitter Supporting Third-Party Flow Turbine Meters
Embedded Controller	· Ultra-Low Power RISC Microcontroller with Internal FLASH (Field Upgradeable)
Configuration	· OleumTech Sigfox Ready Transmitter Configuration Tool via RS232 Serial / Local Display Interface
Input	· 1x High-Speed Pulse Counter Input: 1 Hz to 10 KHz / Supports up to 10,000 Cycles per Second
Accuracy and Stability	· Flow Rate Accurate to ±0.01 % of Reading / Excluding Turbine Meter and Magnetic Pickup
Local LCD Display	· 32-Character Display (16x2 Lines) with 4 Function Keys + Read Button
Displayable/Reportable Values	· Current Flow Rate / Total Volume / Battery Voltage
Device Diagnostics	· Health Tag: Battery Voltage

WIRELESS COMMUNICATIONS	
Sigfox Radio Zones/Regions Supported	· RCZ1: Europe, Oman, South Africa Certificate ID: P_009D_53CD_01
	· RCZ2: USA, Canada, Mexico, Brazil Certificate ID: P_009D_D78E_01
	· RCZ4: Australia, New Zealand, Colombia, Peru, Singapore Certificate ID: P_009D_D78E_01
Wirelessly Connects To	· Sigfox Base Stations
Data Reporting Modes	· Interval Only

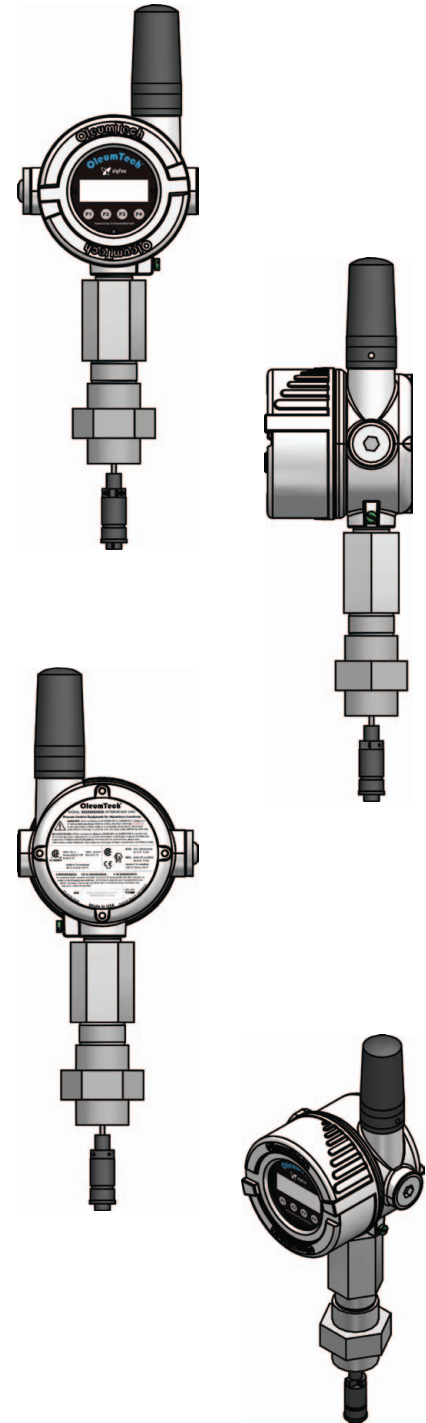
CERTIFICATIONS & COMPLIANCE	
EMC/EMI	<ul style="list-style-type: none"> · FCC Part 15 (USA) / IC ICES-003 (Canada) · ACMA (Australia)
	<ul style="list-style-type: none"> · Class I, Division 1, Groups A, B, C, D T3C; Ex ia IIC T3 · Class I, Zone 0; AEx ia IIC T3
Safety	<ul style="list-style-type: none"> · ATEX: Sira 13ATEX2142X; Ex ia IIC T3 Ga; II 1 G · IECEx: SIR 13.0054X; Ex ia IIC T3 Ga

MECHANICAL SPECIFICATIONS	
Dimensions	· 5.5" (W) x 16" (H) x 4.4" (D) / 140 mm (W) x 406 mm (H) x 112 mm (D)
Package Dimensions	· 10.25" (W) x 14" (H) x 6.5" (D) / 260mm (W) x 356mm (H) x 165mm (D)
Weight	· Net: 5.5 lbs / 2.3 kg; Gross: 8 lbs / 3.6 kg
Connection Fitting	· 1" NPT Female, 1" Mating Union to Flow Turbine Included
Mating Assembly	· Stainless Steel 316
Magnetic Pickup Coil Connection	· 2-Pin Circular Connector (Part # MS3106A-10SL-4S)
Enclosure Casing Material	· Aluminum, NEMA 4X, IP66
Mounting Holes	· 4x M5 Female Threads; Horizontal Spacing: 2.76" (70 mm); Vertical Spacing: 3.70" (94 mm)

ELECTRICAL SPECIFICATIONS	
Power Source	· SX1000-BP3, Internal 3.6 Vdc Lithium Battery
Output Power to Sensor	· Supplies 9.5 V, 15 mA Max Total to Analog Sensor
Sensor Power Up Delay	· When Using Battery: 500 ms default (0-30 sec range)
Internal Battery Life	· Up to 8 Years, Based on User Defined Reporting Intervals ¹

GENERAL SPECIFICATIONS	
Operating Conditions	<ul style="list-style-type: none"> · Ambient Temperature (Class I, Division 1 / Zone 0): -40 °F to 158 °F (-40 °C to 70 °C) / LCD: -20 °C to 70 °C · Humidity: 0 to 99 %, Non-Condensing
Warranty	· 2-Year Parts and Labor
Country of Origin	· USA

ORDERING INFORMATION	
Model Number(s)	<ul style="list-style-type: none"> · RCZ1: SFX-RCZ1-FT11 / Remote Antenna-Ready Option, N Connector: SFX-RCZ1-FT11-P · RCZ2: SFX-RCZ2-FT11 / Remote Antenna-Ready Option, N Connector: SFX-RCZ2-FT11-P · RCZ4: SFX-RCZ4-FT11 / Remote Antenna-Ready Option, N Connector: SFX-RCZ4-FT11-P
Battery Model Number	· Use Only SX1000-BP3, 3.6 V Lithium Battery Pack
Configuration Cable	· SX1000-CC2, 20-ft All-in-One Configuration Cable



¹ Ambient temperature and 140 transmissions per day were used to calculate battery life. The data only applies to a new battery part number SX1000-BP3. Actual battery life may vary depending on environmental factors, application, and usage. Use data shown above only as general point of reference.

